



ARCTIC STEEL

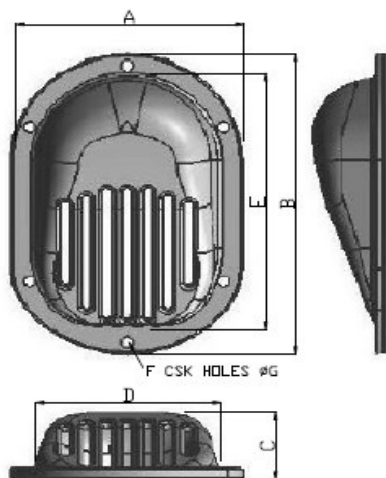
INLET SCOOP STRAINERS

A solid cast 316 Stainless Steel Strainer designed to scoop water into thru hull fittings when boat is in motion, at the same time preventing large particles and debris from entering marine systems aboard.

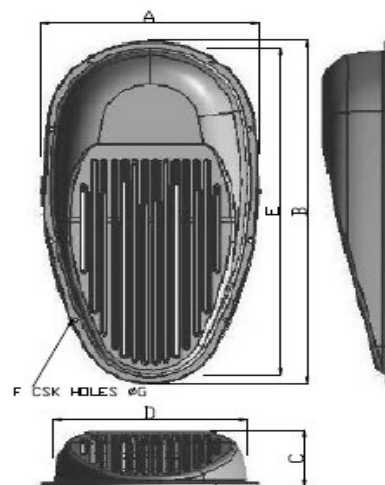
Available in 4 sizes:



Style	Size	A	B	C	D	E	F	G
ISS-MINI	140 x 100	100	140	28	70	115	6	5
ISS-SMALL	210 x 115	115	210	32	82	180	6	5
ISS-MEDIUM	315 x 160	160	315	50	127	280	8	5
ISS-LARGE	410 x 206	206	410	60	170	370	10	5



Mini



Small Medium & Large

Note: All dimensions are in millimetres unless otherwise stated.