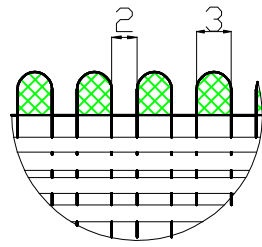
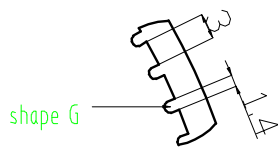


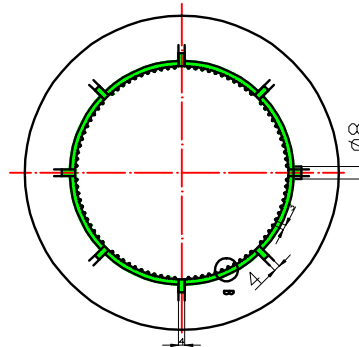
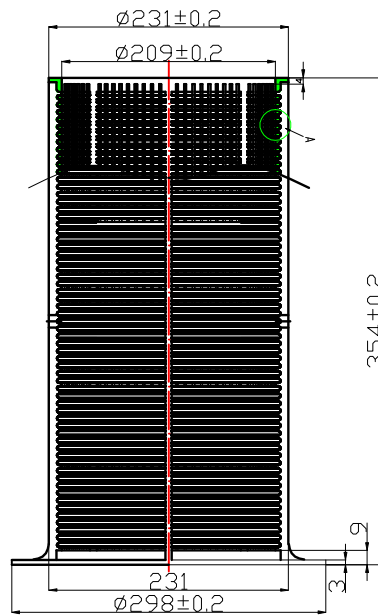
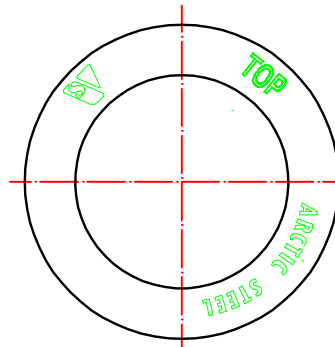
LOGO, WORDS Recessed 1MM



DETAIL A
SCALE 4:1



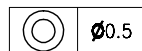
DETAIL B
SCALE 4:1



must keep the size of the hole is 2X3,
then determine the QTY of shape G

STANDARD TOLERANCES
(unless mentioned otherwise)

BASIC SIZE (mm)	TOLERANCE (mm)
0-10	± 0.1
10-50	± 0.2
50-100	± 0.5
100-300	± 1



Company:

Arctic Steel

Drawn:MYD Date:16.07.2015 Checked:PETER

Product Title: WS-6-005
(ABS Basket)

Material:

ABS

Projection:

