



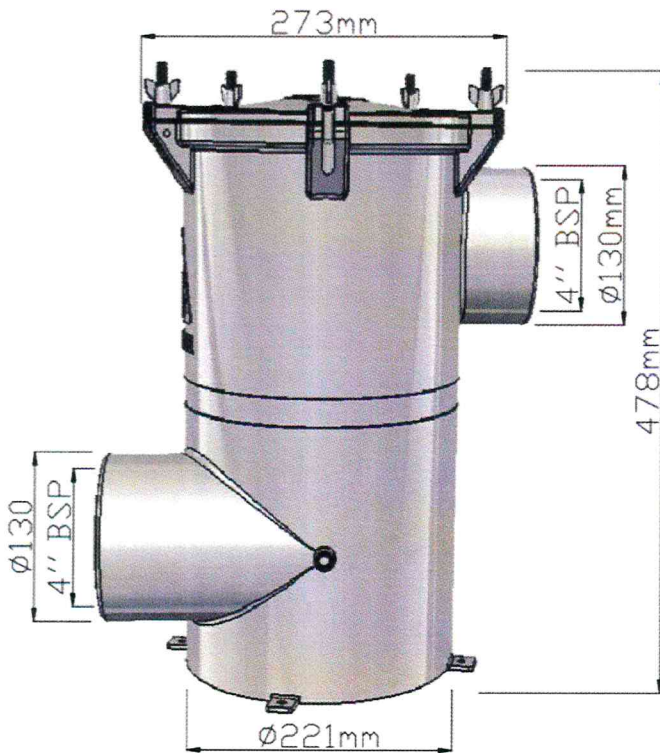
ARCTIC STEEL

STRENGTH

PERFORMANCE

RELIABILITY

4.0" Side In Side Out (SISO)



- Free standing, base mounted.
- Offset side female inlet, side female outlet.
- BSP or NPT thread.
- Electro-polished AISI 2205 Cast Stainless Steel Body.
- Solid electro-polished stainless steel lid or
- Clear 10mm poly carbonate lid option available.
- Secured by 5 Stainless Steel wing nuts for safe, quick and easy access.
- Swing down eye bolts eliminate need to remove nuts.
- Full height, 2mm perf 316 stainless steel basket.
- Durable silicone gasket.
- Anode connection point to combat electrolysis.
- Drain plug.
- Designed for applications that require a header tank or mounting above the waterline.
- Can be supplied with flanges.

Strainer Solid Lid Weight Kg	Strainer Clear Lid Weight Kg	Flow Rate 0.1 bar L/Min	Flow Rate 1 Bar L/Min
20.5kg	19.9kg	1708	5490