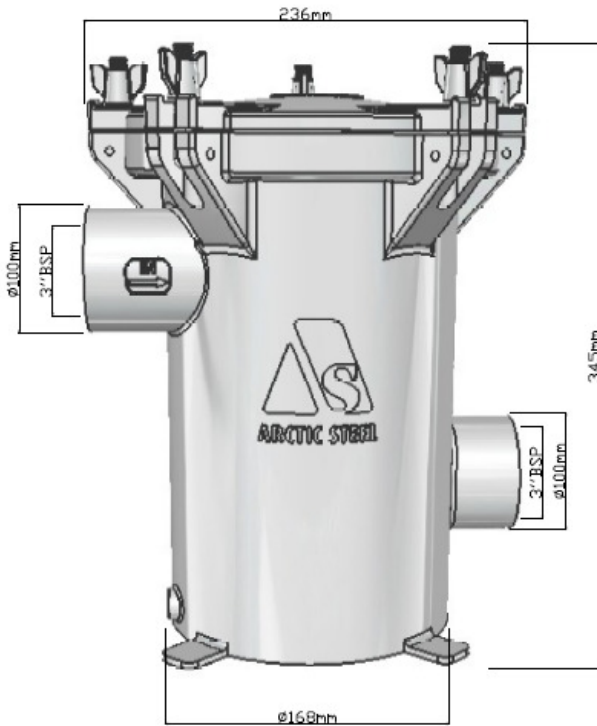




**ARCTIC STEEL**

**STRENGTH RELIABILITY PERFORMANCE**



### 3.0" Side In Side Out S (Solid Lid) or C (Clear Lid)

SISO strainers are free standing, base mounted.

- Electro-polished AISI 2205 Cast Stainless Steel Body.
- Solid electro-polished 316 stainless steel lid.
- Secured by 5 x 316 SS wing nuts for safe, quick and easy access.
- Swing down 316 SS eye bolts eliminate need to remove nuts.
- BSP or NPT thread.
- Offset side female inlet, side female outlet.
- Standard with 316 stainless basket.
- Durable silicone gasket.
- Cast anode connection point to combat electrolysis.
- Drain plug.
- Clear 10mm poly carbonate lid option available.
- Designed for applications that require a header tank or mounting above the waterline.

| Strainer Solid Lid<br>Weight Kg | Strainer Clear Lid<br>Weight Kg | Flow Rate<br>0.1 Bar L/Min | Flow Rate<br>1 Bar L/Min |
|---------------------------------|---------------------------------|----------------------------|--------------------------|
| 12.5                            | 12                              | 845                        | 2785                     |