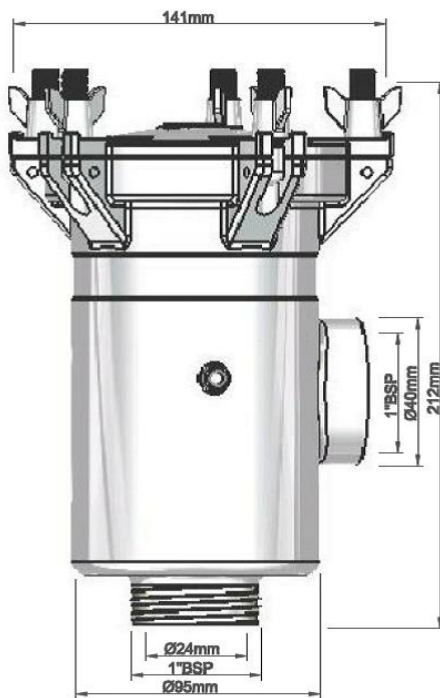




ARCTIC STEEL

STRENGTH RELIABILITY PERFORMANCE



1" S (Solid Lid) or C (Clear Lid)

- Electro-polished AISI 2205 Cast Stainless Steel Body
- Solid electro-polished 316 stainless steel lid
- Secured by 5 x 316 SS wing nuts for safe, quick and easy access.
- Swing down 316 SS eye bolts eliminate need to remove nuts.
- BSP or NPT thread.
- Vertical male inlet, side female outlet.
- Full height, high impact resistance ABS basket.
- Optional 316 stainless basket available.
- Durable silicone gasket.
- Cast anode connection point to combat electrolysis.
- Clear 8mm poly carbonate lid option available
- Side mounting bracket available (316 SS)
- Adjustable bracket extension arm also available (316 SS)

Strainer Solid Lid Weight Kg	Strainer Clear Lid Weight Kg	Flow Rate 0.1 Bar L/Min	Flow Rate 1 Bar L/Min
3.5	3.2	138	431