



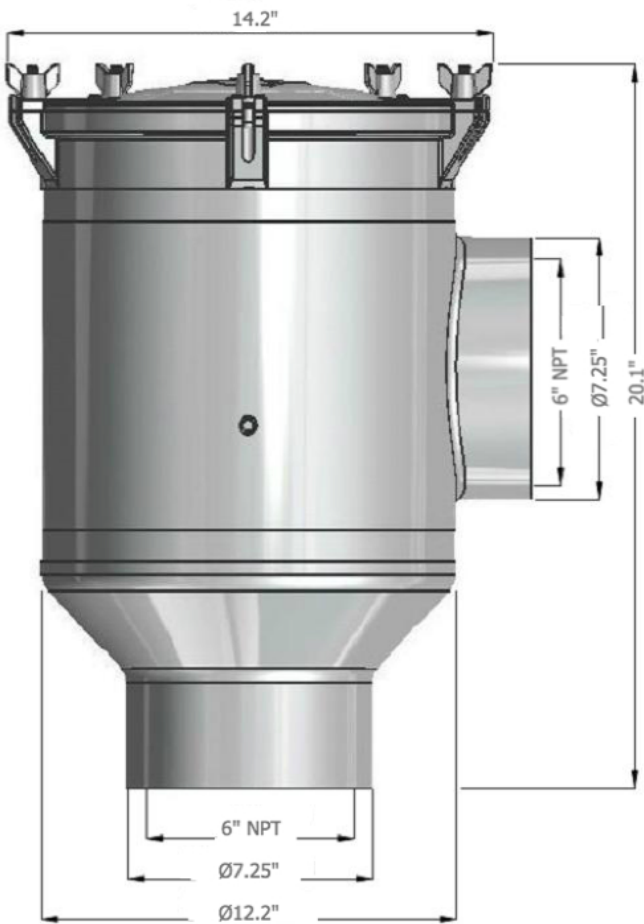
ARCTIC STEEL

STRENGTH

PERFORMANCE

RELIABILITY

6.0" Bottom In Side Out (BISO)



- Vertical female inlet, side female outlet.
- BSP or NPT thread.
- Electro-polished AISI 2205 Cast Stainless Steel Body.
- Solid electro-polished stainless steel lid.
- Secured by 5 Stainless Steel wing nuts for safe, quick and easy access.
- Swing down eye bolts eliminate need to remove nuts.
- Full height, high impact resistance ABS basket.
- Durable silicone gasket.
- Anode connection point to combat electrolysis.
- Side mounting bracket available (316 SS)
- Adjustable bracket extension arm also available (316 SS)

Strainer Solid Lid Weight lb	Strainer Clear Lid Weight lb	Flow Rate 1.45 psi US gpm	Flow Rate 14.5 psi US gpm
66.8lb	N/A	841	2718