



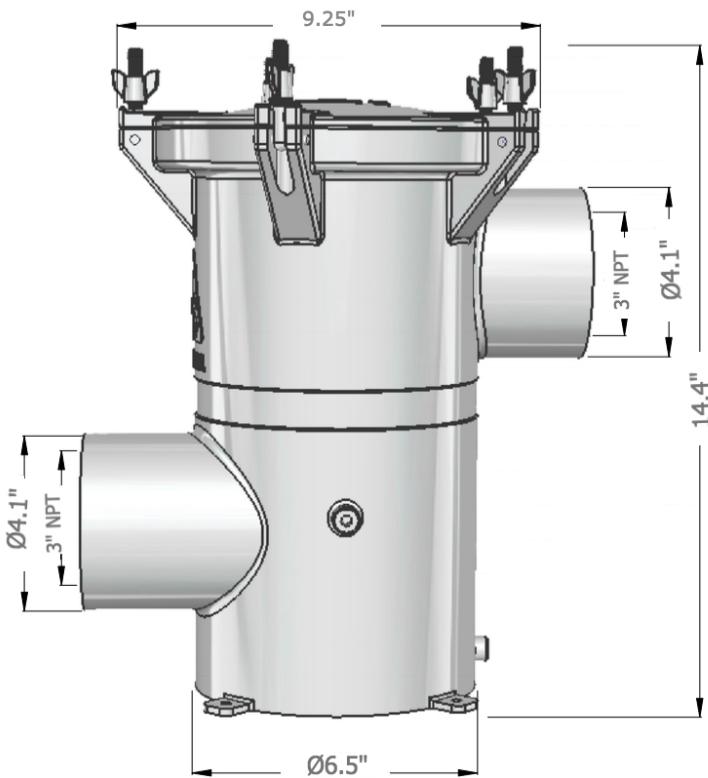
ARCTIC STEEL

STRENGTH

PERFORMANCE

RELIABILITY

3.0" Side In Side Out (SISO)



- Free standing, base mounted.
- Offset side female inlet, side female outlet.
- BSP or NPT thread.
- Electro-polished AISI 2205 Cast Stainless Steel Body.
- Solid electro-polished stainless steel lid or
- Clear 10mm poly carbonate lid option available.
- Secured by 5 Stainless Steel wing nuts for safe, quick and easy access.
- Swing down eye bolts eliminate need to remove nuts.
- Full height, 2mm perf 316 stainless steel basket.
- Durable silicone gasket.
- Anode connection point to combat electrolysis.
- Drain plug.
- Designed for applications that require a header tank or mounting above the waterline.
- Can be supplied with flanges.

Strainer Solid Lid Weight lb	Strainer Clear Lid Weight lb	Flow Rate 1.45 psi US gpm	Flow Rate 14.5 psi US gpm
33.07lb	30.85lb	228	743